



 EUREKA

Knit



Comfort Factor

A soft outline and sound-absorbing, thermoformed construction give the Knit pendant an organic, felted texture that complements its diffuse light signature.

Available in 22 colors and optional uplight.

Knit has won multiple awards since its introduction, including a prestigious Red Dot Award for Product Design.



reddot winner 2021





Pop of color

Knit is available in 22 colors. The extensive palette includes colorful hues and contemporary neutral tones to give the right mood to a space.

Acoustic Material Color Options for Knit

Standard colors



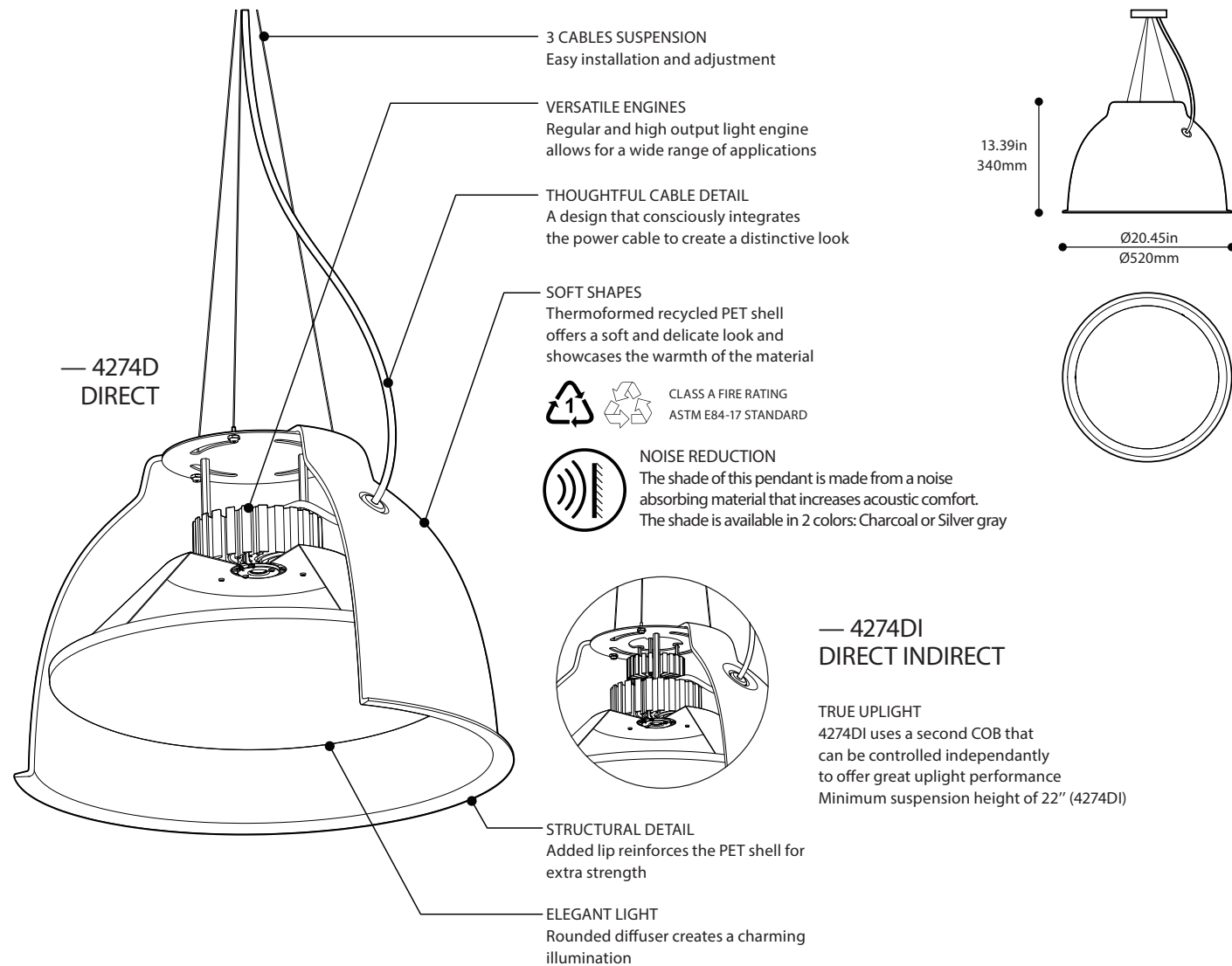
Premium colors



— Premium colors carry extended lead times. Additional fees may apply for expedited lead times. Please consult factory.
 — Due to the dye process, colors may vary slightly from batch to batch.



TECHNICAL DATA



PRODUCT SPECIFICATION	4274D-20-REG	4274D-20-HO	4274DI-20-LED.C1	4274DI-20-LED.C2	4274DI-20-LED.C3	4274DI-20-LED.C4
-----------------------	--------------	-------------	------------------	------------------	------------------	------------------

PERFORMANCE						
SYSTEM WATTAGE	30.5W	46.7W	45.1W	50.6W	61.3W	66.8W
DELIVERED LUMENS DIRECT (4000K)*	2228 LM	3425 LM	2228 LM	2228 LM	3425 LM	3425 LM
DELIVERED LUMENS INDIRECT(4000K)			1261 LM	1885 LM	1261 LM	1885 LM
<small>*EXPECT A 15% DECREASE IN PERFORMANCE FOR CHARCOAL FELT VERSION.</small>						
OTHER INFORMATIONS						
WEIGHT	7.4 LS / 3.4 KG	8.0 LBS / 3.7 KG	8.5 LBS / 3.9 KG	8.5 LBS / 3.9 KG	9.0 LBS / 4.2 KG	9.0 LBS / 4.2 KG
L70 (LUMEN MAINTENANCE) DIRECT	> 63 600 HRS	> 63 600 HRS	> 63 600 HRS	> 63 600 HRS	> 63 600 HRS	> 63 600 HRS
L70 (LUMEN MAINTENANCE) INDIRECT	N/A	N/A	> 55 000 HRS	> 55 000 HRS	> 55 000 HRS	> 55 000 HRS
ACOUSTIC PERFORMANCE	*ACOUSTIC TESTS PENDING	*ACOUSTIC TESTS PENDING	*ACOUSTIC TESTS PENDING	*ACOUSTIC TESTS PENDING	*ACOUSTIC TESTS PENDING	*ACOUSTIC TESTS PENDING
FIRE RATING	CLASS A - ASTM E84-17	CLASS A - ASTM E84-17	CLASS A - ASTM E84-17	CLASS A - ASTM E84-17	CLASS A - ASTM E84-17	CLASS A - ASTM E84-17

WELL & LEED STANDARD REQUIREMENTS						
MAX. LUMINANCE 45°-90° OF NADIR	1758 CD/M ²	2750 CD/M ²	1758 CD/M ²	1758 CD/M ²	2750 CD/M ²	2750 CD/M ²
LIGHT QUALITY	R9 > 50 (90 CRI OPTION)					
FLICKERING TOLERANCE	LOW FLICKER, COMPLIANT TO CALIFORNIA TITLE 24					

EFFICACY MULTIPLIERS			LIGHT DISTRIBUTION	
CRI	CCT	FACTOR	4274-D-20	4274-DI-20
80+	4000K	1.00		
80+	3500K	0.98		
80+	3000K	0.94		
80+	2700K	0.91		
90+	4000K	0.88		
90+	3500K	0.85		
90+	3000K	0.81		
90+	2700K	0.77		

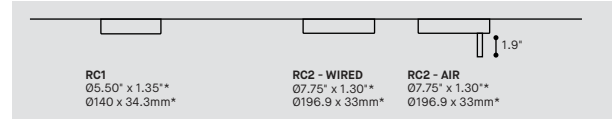


KNIT 4274

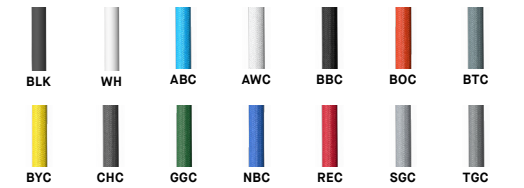
PROJECT PROJET
SPEC TYPE
NOTES



MOUNTING OPTIONS OPTIONS DE MONTAGE



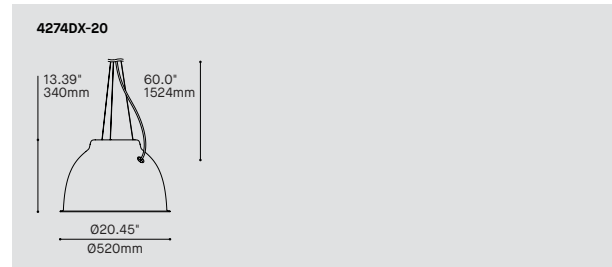
CABLE FINISH FINI CÂBLE



FELT FINISH FINI FEUTRE

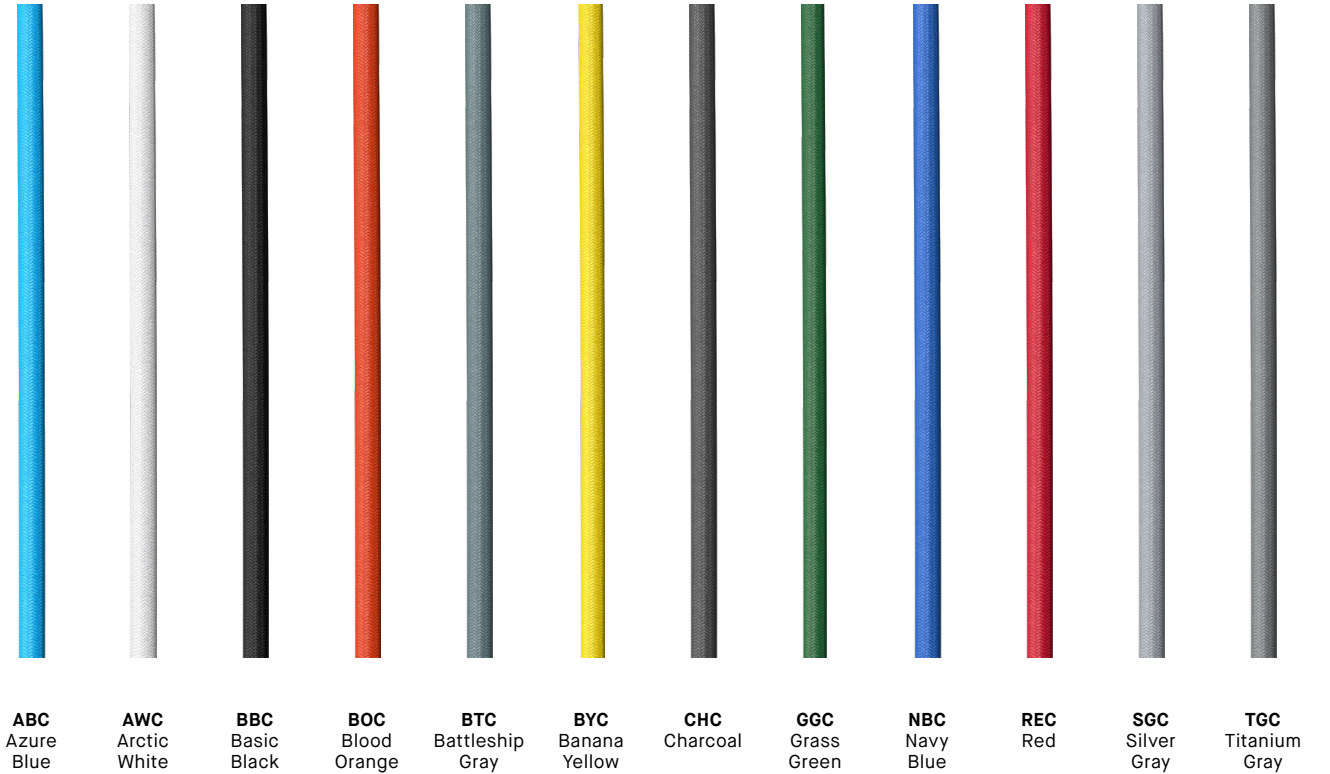


ADDITIONAL PREMIUM COLORS AVAILABLE - SEE ACOUSTIC MATERIAL COLOR OPTIONS PAGE



ORDERING SPECIFICATION	SPÉCIFICATION DE COMMANDE	CODE			
MODEL MODÈLE					
4274D-20	KNIT 20" - DIRECT				
4274DI-20	KNIT 20" - DIRECT INDIRECT *DIRECT AND INDIRECT LIGHT SOURCES CAN BE DIMMED INDEPENDENTLY				
LIGHT SOURCE SOURCE LUMINEUSE					
4274D-20					
LED	REGULAR OUTPUT				
LED.HO	HIGH OUTPUT				
4274DI-20					
LED.C1	REGULAR OUTPUT DIRECT + REGULAR OUTPUT INDIRECT				
LED.C2	REGULAR OUTPUT DIRECT + HIGH OUTPUT INDIRECT				
LED.C3	HIGH OUTPUT DIRECT + REGULAR OUTPUT INDIRECT				
LED.C4	HIGH OUTPUT DIRECT + HIGH OUTPUT INDIRECT				
COLOR TEMPERATURE TEMPÉRATURE DE COULEUR					
27*	2700K				
30	3000K				
35	3500K				
40	4000K				
	*LONGER LEAD TIME MAY APPLY. PLEASE CONTACT YOUR EUREKA REPRESENTATIVE				
COLOR RENDERING INDEX (CRI) INDICE DE RENDU DE COULEUR (IRC)					
80	80+ CRI				
90*	90+ CRI				
	*LONGER LEAD TIME MAY APPLY. PLEASE CONTACT YOUR EUREKA REPRESENTATIVE				
VOLTAGE VOLTAGE					
120V	120 VOLT				
277V	277 VOLT				
CONTROL OPTION OPTION DE CONTRÔLE					
DV	0-10V DIMMING (120V-277V)				
DP	PHASE DIMMING (120V ONLY)				
NLTAIR2*	NLIGHT AIR CONTROL GEN 2				
NLIGHT*	NLIGHT WIRED CONTROL *DUAL DIMMING NOT AVAILABLE WITH NLIGHT OPTIONS *REQUIRES RC2 CANOPY				
EMERGENCY BATTERY BATTERIE D'URGENCE					
	EM DRIVER BOX INCLUDED, INSTALLED REMOTELY. SEE EM GUIDE FOR DETAILS.				
EMB*	EMERGENCY BATTERY FOR REMOTE BOX *3981EA ACCESSORY IS REQUIRED				
CABLE CÂBLE		AC			
AC	AIRCRAFT MOUNTING & BLACK OR WHITE CABLE, FIELD ADJUSTABLE				
CABLE LENGTH LONGUEUR DE CÂBLE					
60	60" AIRCRAFT CABLE (STD LENGTH)				
**	CUSTOM AIRCRAFT CABLE LENGTH (PLEASE SPECIFY) FOR OVERALL LENGTH, PLEASE CONTACT YOUR EUREKA REPRESENTATIVE				
MOUNTING MONTAGE					
RC1	ROUND CANOPY / PAVILLON ROND				
RC2	SCREWLESS 1.35" CANOPY (2473F) NLIGHT SCREWLESS 1.75" CANOPY (2474H)				
CANOPY FINISH FINI PAVILLON					
BLKE	BLACK FINE TEXTURE				
WHE	WHITE FINE TEXTURE				
BUSHING FINISH FINI PASSE FIL					
BLKE	BLACK FINE TEXTURE				
WHE	WHITE FINE TEXTURE				
POWER CABLE FINISH FINI CÂBLE ALIMENTATION					
BLK	BLACK VINYL	BOC*	BLOOD ORANGE	NBC*	NAVY BLUE
WH	WHITE VINYL	BTC*	BATTLESHIP GRAY	REC*	RED
ABC*	AZURE BLUE	BYC*	BANANA YELLOW	SGC*	SILVER GRAY
AWC*	ARCTIC WHITE	CHC*	CHARCOAL	TGC*	TITANIUM GRAY
BBC*	BASIC BLACK	GGC*	GRASS GREEN		
	*TEXTILE BRAIDED CORD, ADDITIONAL COST AND LONGER LEAD TIME MAY APPLY, PLEASE CONTACT YOUR EUREKA REPRESENTATIVE				
SHADE FINISH FINI ABAT-JOUR					
ABF	AZURE BLUE FELT	CHF	CHARCOAL FELT	REF	RED FELT
BBF	BASIC BLACK FELT	NBF	NAVY BLUE FELT	SGF	SILVER GRAY FELT
BOF	BLOOD ORANGE FELT	OBF	OCEAN BLUE FELT	TGF	TITANIUM GRAY FELT
BTF	BATTLESHIP GRAY FELT	PGF	PEAR GREEN FELT	ZFF	ZINFANDEL FELT
PREMIUM*	PLEASE SPECIFY PREMIUM COLOR CODE - SEE ACOUSTIC MATERIAL COLOR OPTIONS PAGE *LONGER LEAD TIME MAY APPLY, PLEASE CONTACT YOUR EUREKA REPRESENTATIVE				
DIFFUSER FINISH FINI DIFFUSEUR					WH
WH	WHITE				
ACCESSORY ACCESSOIRE					
3981EA	ELECTRICAL BOX FOR EMB EMERGENCY BATTERY				

Cable Color Options for Knit



The cable has a 00.265in (direct) or 00.375in (direct+indirect) and is covered with a decorative braided sleeve.

IF YOU ARE LOOKING FOR ANOTHER COLOR, OUR TEAM IS HERE TO HELP MAKE YOUR VISION COME TRUE.

CONTACT US

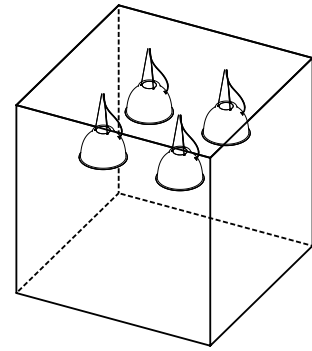
- Longer lead time may apply.
- Colors shown for visual reference only.
- Due to the dye process, colors may vary slightly from batch to batch.
- Consult your sales representative or factory to get a sample.

Acoustic test results

The acoustic testing of our fixtures enables us to get data such as the average Sabins per object and the sound absorbing coefficient (Sabins/ft²). One Sabins is the equivalent of 1ft² of perfect sound absorption. For the KNIT, the fixture were tested on a spacing grid of 45" and placed 36" from the test surface (ceiling). The AREA fixture results are for the acousitc version (4821), it is here for comparison purpose only.

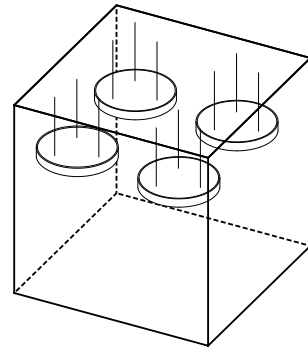
KNIT test

250Hz - 2.44 Sabins
 500Hz - 3.52 Sabins
 1000Hz - 4.58 Sabins
 2000Hz - 4.96 Sabins
 Average per fixture:
3.88 Sabins

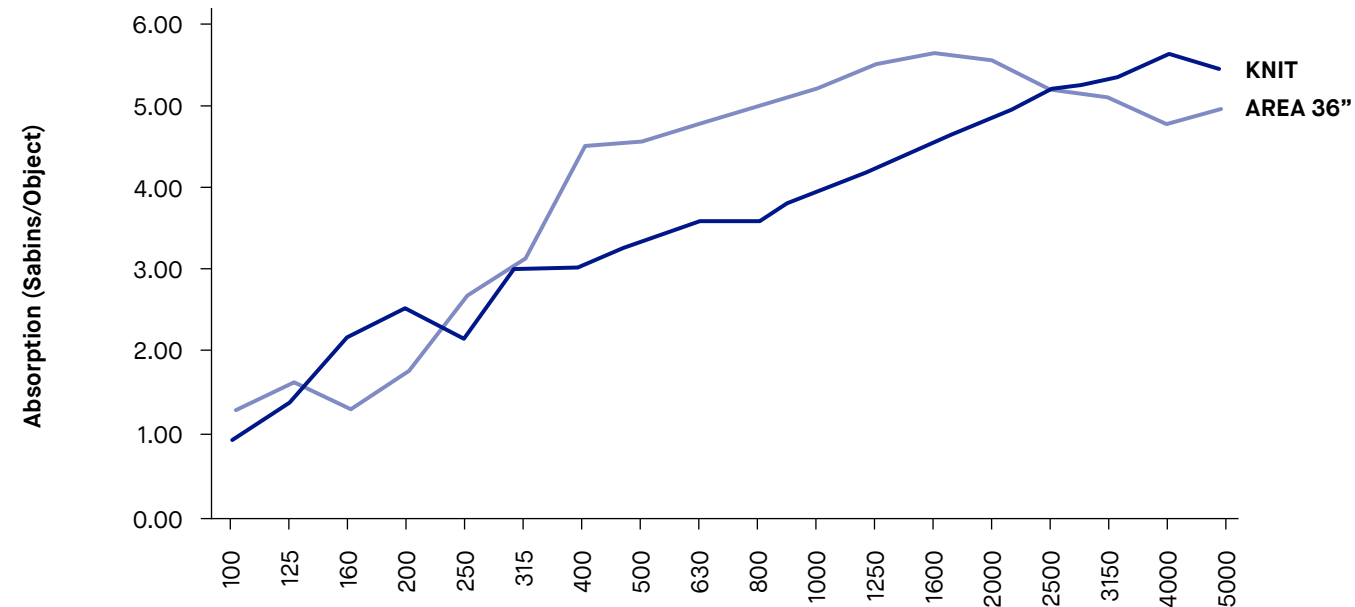


AREA 36" test

250Hz - 2.74 Sabins
 500Hz - 4.59 Sabins
 1000Hz - 5.25 Sabins
 2000Hz - 5.67 Sabins
 Average per fixture:
4.56 Sabins



Sound Absorption



Reverberation time

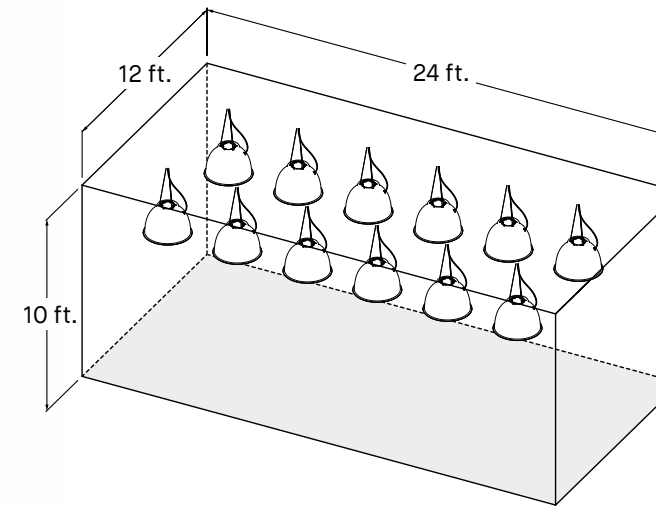
Based on the test data, we are able to calculate the reverberation time of fixture layouts in a closed room and determine the extra amount (ft²) of sound absorbing material that would be required for a comfortable level. Reverberation time is the calculation of the time it takes for sound to fade by 60 dB in a closed space in seconds. As a reference, the WELL standard recommends a reverberation time of 0.5 seconds for an open office applications and 0.6 seconds for a conference room. Here are two acoustic scenarios using the KNIT & AREA fixtures.

Scenario 1

12x pendant KNIT spaced on a 2 by 6 grid hanging 24" from the ceiling.

Reverberation time
 Without KNIT : 1.07 seconds
 With KNIT : **0.80 seconds**

Additional 1.00 NRC material needed to reach 0.50s : **150ft²**

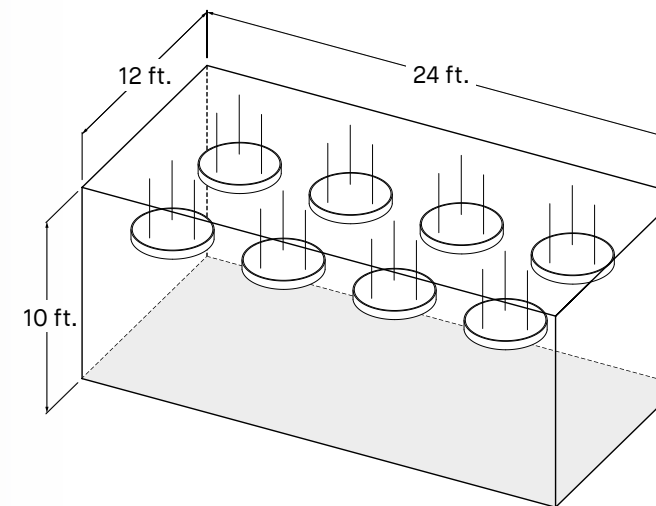


Scenario 2

8x pendant AREA 36" spaced on a 2 by 4 grid hanging 36" from the ceiling.

Reverberation time
 Without AREA : 1.07 seconds
 With AREA : **0.83 seconds**

Additional 1.00 NRC material needed to reach 0.50s : **157ft²**



[SEE THE ACOUSTIC DATA DOCUMENT ON OUR WEBSITE FOR MORE INFORMATION](#)



www.eurekalighting.com

AcuityBrands.